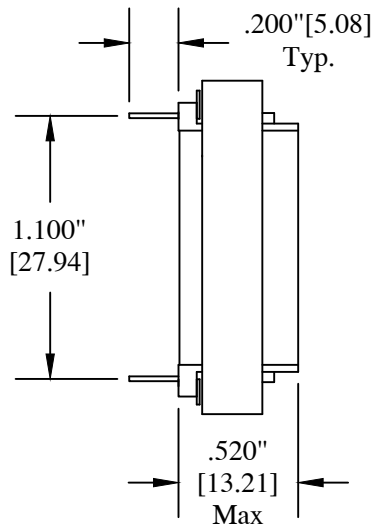
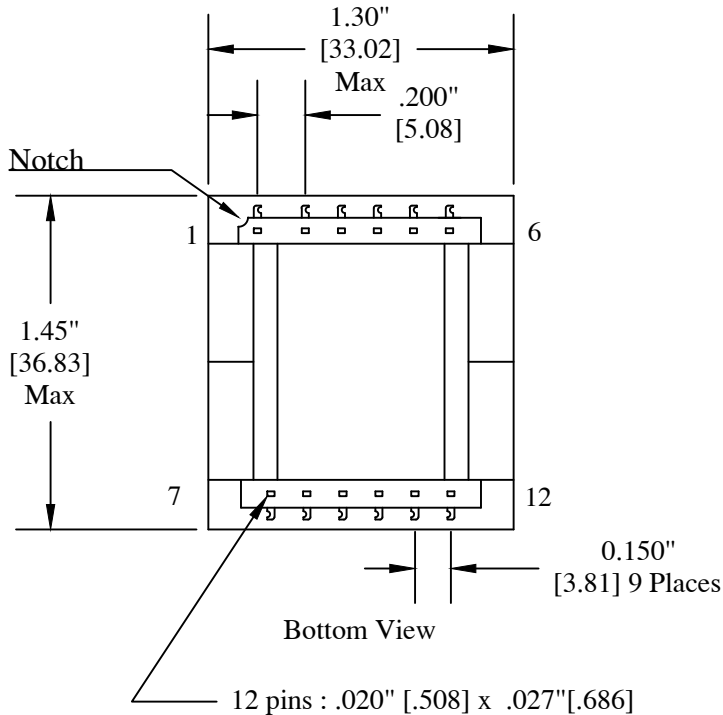


- VOICE & DATA APPLICATIONS.
- DESIGNED FOR WET (70mA DC) CIRCUITS.
- IMPEDANCE RATIOS OF 600 Ω : 600 Ω .
- LOW PROFILE <.525"/13.34mm.
- SOLID FOIL STATIC SHIELD, CONNECTED TO GROUND PIN.
- ALTERNATE HIGHER PERFORMANCE PART SPT-187.
- UL RECOGNIZED COMPONENT - UL 1863, FILE E138250.

REVISIONS			
DATE	REV	DESCRIPTION	APP'VD
10/12/93	-1	Changed Harm Dist. was specified in %	Tjk
6/03/97	-2	Delete 0.720" ref. dimension	mm
03/31/16	-3	Updated entire spec, added millimeters	Tjk

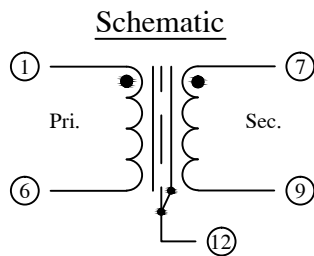


Electrical Parameters:

Primary Impedance: 600Ω
 Secondary Impedance: 600Ω
 Turns Ratio: 1 : 1.08 +/- 2%
 Primary D.C. Resistance : 66Ω +/- 10%
 Secondary D.C. Resistance : 72Ω +/- 10%
 Maximum unbalance D.C. Current : 70mA
 Dielectric Strength 2200VDC : Pri - Core, Screen - Sec, Sec - Core, Screen - Pri. 1 minute minimum
 Insulation Resistance >100MΩ @ 500VD.C.
 Frequency Response 300Hz - 3500Hz: +/- 1.0dB
 Insertion Loss: 1.30dB Reference @1KHz
 ERL : 18.0dB Minimum
 Primary Return Loss : 10.0dB minimum @300Hz
 THD @0dBm 300Hz: -53dB typical @ 0dBm
 Longitudinal Balance: 60dB min per IEEE 455-1985

Reflected Z = 603 Ohms Ref @1KHz, 70mA DC/Primary & 600 ohm RL/Sec

All dimensions are reference unless otherwise specified.



PREM MAGNETICS INCORPORATED		CUSTOM ENGINEERING MAGNETIC COMPONENTS Johnsburg, Illinois 3521 N. Chapel Hill Rd. / McHenry, Illinois 60051	
SCALE: None	APPROVED BY: <i>Tj Klotz</i>		DRAWN BY TJK
DATE: 03-31-2016			REVISED
Audio/Telephony Transformer p/n SPT-1107			
			DRAWING NUMBER C-SPT-1107-3